

Sienna | 2011



 **TOYOTA**
make things better



A

Sienna

Totally redesigned inside and out, the 2011 Sienna offers a fresh take on the word 'new'. With improved handling, a sleeker design and a spacious, yet attractive interior; it's more than that. The Sienna features a wider, more aggressive stance, powerful, yet fuel-efficient engine choices, and the option of 7- and 8-seat passenger models. And with available all-wheel drive coupled with the world-class safety features you expect, the Sienna is built to inspire confidence under any condition. The all-new 2011 Sienna. It's more than just new. It's the next generation. And that's how we make things better.

FRONT COVER
Sienna Limited AWD V6 shown in Pre-Dawn Grey Mica.

A. Sienna Limited AWD V6 shown in Pre-Dawn Grey Mica.

The 2011 Sienna is available in 5 trim levels – plus the availability of a 4-cylinder.

FWD	
LE 4-cylinder*	7-seats
Sienna V6	7-seats
LE V6	8-seats
SE V6*	8-seats
XLE V6	7-seats

For enhanced traction, the 2011 Sienna is available with All-Wheel Drive.

AWD	
LE V6	7-seats
Limited V6	7-seats



B

B. Sienna SE shown in Alpine White

* Available Spring 2010.

Comfort and Convenience

Step inside the redesigned Sienna and experience a whole new level of comfort. Designed for everyday life, our engineers made Sienna's interior wider and longer without increasing the exterior dimensions. Whether you're in the driver's seat or count yourself as the eighth member of the crew, you'll feel like you've got the room to relax. Headroom, legroom, hiproom: Sienna exceeds the needs of you and your family in a way that's versatile, flexible and beautifully designed.

A. The available dual moonroof creates an airy and open interior atmosphere. The front moonroof tilts open and slides over the roof, while the rear moonroof slides into the ceiling.

B. The available dual power sliding side doors open wider, so it's easier to step in and out, or load and unload cargo.

C. With a sport-tuned lowered suspension and sport-calibrated Electric Power Steering, the SE provides more direct feedback and precise handling. It also features exclusive seat upholstery, chrome accents and a piano-black finish.

D. A 180-degree wide angle or regular view of the area behind your vehicle can be displayed on the available Navigation System⁴ screen with the Panorama Rearview Camera.



E. The wood accents of the Sienna Limited interior signal you're in the lap of luxury. The "60/60" overlapping design of the dash reinforces that feeling, giving both the driver and front-seat passenger easy access to the centre console's switches and controls.

F. The available Dual-View Entertainment System can be used as a single or split screen and includes headphone jacks for added peace and quiet.⁵



Versatility

Because your life is constantly changing, Sienna was designed to change right along with it. Available in 7- or 8-seat passenger models, the seats can be configured a number of ways to adapt to any daily need. Slide the seats out of the way or simply remove them entirely to create an exceptional 4.25m³ (150 cu.ft.) of cargo space. Whether it's for work or play, there's a Sienna for all the combinations your life will take.

A. Looking for more space? The second-row middle seat can be folded up and stored in the cargo area storage compartment.

B. With the spacious redesigned Sienna interior, everyone in the family can feel like their seat is the best seat. The second-row seating features dual armrests that adjust, maplamps that swivel and climate controls at your fingertips. And the unusually long 585 mm [23-inch] sliding range for Sienna's second-row seats creates an ease of ingress and egress through the wide dual sliding side doors.



B

A

C. To sync up with the long sliding range of the second-row seats, Sienna XLE and Limited feature a centre console that expands and slides rearward.

D. The second-row seat cushions tip-up, allowing the entire row to slide further forward to provide extra cargo space and easy rear passenger entry.

E. When your hands are full, the available power rear door opens and closes via the remote keyless entry or available Smart Key fob. It even features a one-second jam protection delay between the door reaching the bottom position and fully closing.



C

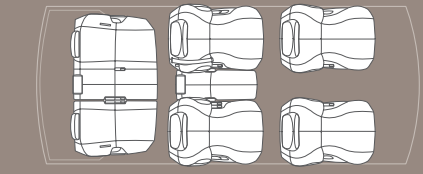


D

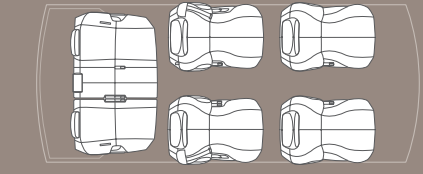


E

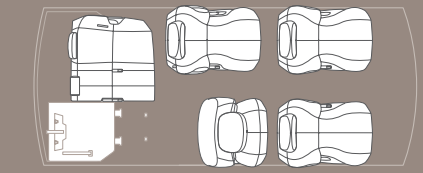
SEAT CONFIGURATION
Sienna's seating can be arranged for maximum occupancy – either eight passengers or seven passengers, depending on the model – and for maximum cargo, or for various combinations of the two.



8-passenger seating



7-passenger seating



7-passenger seating with tip-up and long-slide second row

Safety and Performance

Inside and out, the 2011 Sienna was designed around the idea that keeping your family safe is the ultimate responsibility. That's why our engineers designed Sienna with a wider stance, so you have greater confidence and control when turning corners, as well as a host of standard safety features such as: Advanced Airbag System, Vehicle Stability Control, Antilock Brake System, Electronic Brake-force Distribution, Brake Assist, Traction Control and Electric Power Steering.

ALL-WHEEL DRIVE

AWD models feature an Active Torque Control All-Wheel Drive system. This AWD system uses information sent from various sensors to transmit only the necessary amount of torque to the front and rear wheels.



ALL NEW 4-CYLINDER ENGINE

The 2011 Sienna is now available with a fuel efficient 2.7-litre, 187 hp 4-cylinder engine.



MUDDY SURFACE

If the driver applies excessive pressure to the accelerator, Traction Control helps prevent wheel slippage on all kinds of surfaces.

GRAVEL SURFACE

No matter the surface of the road, standard Electronic Brake-force Distribution optimizes the amount of brake force sent to each wheel. Sensors read the vehicle load in Sienna and send the appropriate brake force to each wheel.

WET SURFACE

The computer-controlled Antilock Brake System modulates brake pressure when braking hard or when braking on a slippery surface, helping to avoid wheel lockup and maintain steering control.

SLUSHY SURFACE

In winter conditions, Vehicle Stability Control helps prevent the vehicle from slipping sideways as a result of losing traction while driving, cornering or stopping.

A. DRIVER KNEE AIRBAG

The standard safety features on the all-new 2011 Sienna include a segment-first driver knee airbag.

B. ADVANCED AIRBAG SYSTEM

In a collision, the standard dual-stage front airbag system senses impact severity while adjusting airbag deployment accordingly.

C. SIDE AIRBAGS

Sienna comes standard with front seat-mounted side airbags.

D. THREE-ROW SIDE CURTAIN AIRBAGS

The standard side curtain airbags cover the length of the cabin from the front seats to the third-row seats.

E. SEATBELTS

Sienna features a 3-point Emergency Locking Retractor seatbelt for the driver's seat and Automatic/Emergency Locking Retractors for all passenger belts.



F. SIDE-IMPACT DOOR BEAMS

Within each of Sienna's four doors are steel beams designed to help protect the occupants in the event of a side-impact collision.

G. LATCH

Short for Lower Anchors and Tethers for Children, LATCH includes lower anchors on outboard second-row seats and the middle seat in the third row.

H. RAIN-SENSING WIPERS

Sienna Limited uses sensors to detect when it's raining and the amount of rainfall, then adjusts the wiper interval and speed automatically so that you can concentrate on the road, not the windshield.

I. REAR CLEARANCE AND BACKUP SONAR

To assist during parking manoeuvres, Sienna XLE features a rear clearance sonar to help you gauge the area in a parking space. For added convenience, the Limited offers an additional front sonar.

Toyota Quality

Quality is built right into the production process from the selection of raw materials, right down to the vehicle's final inspection. And it is the responsibility of everyone to ensure the highest quality possible on each and every vehicle. It's through Toyota's philosophy of 'Kaizen' that we are always looking for ways to continually improve. That's how we make things better.

THE TOYOTA PRODUCTION PROCESS is one that is constantly evolving. With our "Just-In-Time" practice, the goal is to make certain that during the manufacturing process, only what is needed gets produced. The result is twofold: because there's no excess supply, any issues are exposed and promptly resolved to ensure that everything off of the Toyota assembly line is of exceptional quality.

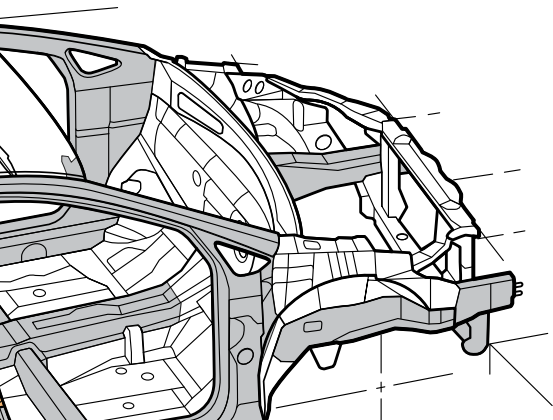


THE HUMAN TOUCH. As impressive as the machinery is, the achievement of perfect fit and finish is also the result of continuous human touch for every step of the way.

TOYOTA CANADA COLD RESEARCH CENTRE. Located in Timmins, Ontario, our teams test Toyota vehicles in actual Canadian winter conditions at our cold weather testing track to ensure that they remain dependable throughout the long winter months.



For more information visit toyota.ca



2011 Colours



Interior colour options

- ^A Light Grey Fabric on Sienna V6, all LE models.
- ^B Light Grey Leather on XLE, Limited AWD.
- ^C Bisque Fabric on Sienna V6, all LE models.
- ^D Bisque Leather on XLE, Limited AWD.
- ^E Dark Charcoal Fabric on SE.

New vehicle warranty summary

NO DEDUCTIBLES – NO TRANSFER FEES

COMPREHENSIVE COVERAGE - 3 YEARS OR 60,000 KM This warranty includes 24 hour Roadside Assistance and other benefits, as well as coverage of repairs on any part of the vehicle that is defective in material or workmanship under normal use and maintenance. Different warranties apply to original tires.

POWERTRAIN COMPONENTS - 5 YEARS OR 100,000 KM This warranty covers repairs to powertrain components that are defective in material or workmanship under normal use and maintenance.

MAJOR EMISSION CONTROL COMPONENTS - 8 YEARS OR 130,000 KM This warranty covers repairs to specified major emission components that are defective in material or workmanship under normal use and maintenance.

CORROSION PERFORATION - 5 YEARS UNLIMITED DISTANCE Any sheet metal found, under normal use, to have developed a perforation from corrosion due to defects in material or workmanship.

Accessories

Personalize your vehicle to enhance its appearance and performance with Toyota Accessory Parts. Your Toyota Dealer can help you select the right accessories to suit your individual style. Many of Toyota's Accessory Parts can be residualized or advanced through Toyota Financial Services when purchased at the time of a new vehicle sale, and all are backed by a Toyota Warranty. To view a complete list of accessories specifically designed for your vehicle, visit customizeyourtoyota.ca, your local Dealer or toyota.ca.

Personalize your Sienna with interior and exterior accessories that suit your individual needs.

- Bike Carrier
- Block Heater
- Bluetooth^{®3}
- Bodyside Mouldings
- Cargo Liner
- Cargo Net
- Chrome Accent Mouldings
- Emergency Assistance Kit
- First Aid Kit
- Hood Deflector
- Licence Plate Protector
- Rear Seat Entertainment System
- Remote Engine Starter
- Roof Rack Crossbars
- Roof Rack Ski/Snowboard Carrier
- Security System
- Towing Accessories
- XM[®] Satellite Radio



Roof Rack Crossbars

Towing Accessories
Haul with confidence with a towing hitch.



Remote Engine Starter Start your vehicle from as far as 80 feet away to cool or warm it before entry.



Chrome Accent Mouldings



Rear Seat Entertainment System
Keep your kids entertained and occupied on those long road trips.



Cargo Net

Discover more with Toyota

At Toyota, our goal is to continuously make things better for you. That's why we offer a wide range of programs and services before and after your vehicle purchase designed to help make your Toyota experience the best it can be.



Fewer emissions and pollutants.¹ More kilometres on less fuel. And designed with power and performance in mind. Available in Prius, Camry and Highlander, these latest generation Toyota hybrids offer you the best of all worlds.



Toyota Dealers are dedicated to making the experience of owning a Toyota both satisfying and rewarding. We service your Toyota the way we built it. So you can count on quality parts and professional service.



If you're looking at leasing or financing, we're here to help. We provide competitive interest rates, flexible terms, and an easy online pre-approval process. The toughest decision should be choosing which Toyota you want. Visit us at www.toyotafinancialservices.ca.



Enhance your Toyota ownership experience by joining Club Toyota – a complimentary and exclusive online service for Toyota owners. Benefit from an abundance of interactive services, and information conveniently at your fingertips. Register today at clubtoyota.ca.



With Extra Care Protection you receive inflation protected coverage from mechanical failures, road emergencies, and much more. It's affordable peace of mind. Consult your Toyota Dealer for details.



The Toyota Mobility program is dedicated to addressing the transportation needs of Toyota Owners who have a disability, or know a family member with a disability or mobility issue. The program offers cash assistance, resource information and financing for adaptive equipment for their vehicle.



All new Toyota cars and trucks include a full tank of gas, roadside assistance and floor mats.



¹Compared against similarly equipped conventional gasoline powered vehicles. Based on North American sales data and Federal Tier 2 engine emission requirements.

Working together to make things better.

Through education, inspiration, financial support and a long standing commitment to the environment, Toyota Canada is proud to contribute to the Toyota Canada Foundation and to various community programs that are devoted to the betterment of our planet. To learn more about how we are working to make things better, visit us at Toyota.ca



Toyota Evergreen Learning Grounds
Toyota Canada Inc. and its Dealerships partnered with Evergreen in 2000 to create the Toyota Evergreen Learning Grounds Program, that is transforming Canadian school grounds into natural learning environments. For more information visit evergreen.ca



Special Olympics Canada
Toyota Canada Inc. and its Dealers are National Sponsors of Special Olympics Canada, which is dedicated to making a difference in the lives of Special Olympics athletes. Toyota Canada Inc. reaches out to Special Olympics athletes whenever possible through participation in events at a local, regional, provincial and national level. For more information visit specialolympics.ca



Toyota Earth Day Scholarship Program
The Toyota Earth Day Scholarship Program was established to recognize and reward graduating high school students who have distinguished themselves through environmental, volunteer and academic excellence. This year, 20 scholarships will be awarded coast to coast, allowing Canada's future environmental leaders to continue their studies. For more information visit earthday.ca

2011 Sienna Features

INTERIOR	FWD					AWD	
	4-cyl	V6			V6		
	LE	Sienna	LE	SE	XLE	LE	LTD
AM/FM CD/MP3/WMA Player, 4-Speakers, Audio Auxiliary Input Jack, XM® Satellite Ready Antenna w/Prewire	●	●	–	–	–	–	–
AM/FM CD/MP3/WMA Player, 6-Speakers, Vacuum Fluorescent Display	–	–	●	●	●	●	–
Bluetooth®3 Capability, USB Audio Input, Integrated XM® Satellite Radio, Steering Wheel Audio Controls	–	–	●	●	●	●	●
JBL® Audio, AM/FM CD/MP3/WMA In-Dash 4-Disc Changer, 10-Speakers, Dual-View DVD Entertainment System w/16.4" Widescreen Monitor ² , 2 Sets of Wireless Headphones	–	–	–	–	–	–	●
Tri-Zone Manual Climate Control	●	●	●	–	–	●	–
Tri-Zone Automatic Climate Control	–	–	–	●	●	–	●
Cabin Air Filter, Rear Seat Heater Ducts	●	●	●	●	●	●	●
Fabric Seat Material	–	●	–	–	–	–	–
Easy Clean Fabric Seat Material	●	–	●	–	–	●	–
Sport Fabric Seat Material w/Leatherette Trim	–	–	–	●	–	–	–
Leather Seat Surfaces, Heated Front Seats	–	–	–	–	●	–	–
Premium Leather Seat Surfaces, Heated Front Seats	–	–	–	–	–	●	–
Driver & Front Passenger Captain Seats	●	●	●	●	●	●	●
Driver Seat w/Recline, Vertical, Fore/Aft Adjustments, Foldable Armrest	●	●	–	–	–	–	–
Power Driver Seat w/Recline, Fore/Aft Adjustments, Lumbar Support Adjustments	–	–	●	●	●	●	●
Driver Seat Memory System	–	–	–	–	–	–	●
Front Passenger Seat w/Recline, Fore/Aft Adjustments	●	●	●	●	●	●	–
Power 4-Way Passenger Seat Adjustments	–	–	–	–	–	–	●
Removable 2nd Row Captain Seats w/Tip-Up & Long Slide Adjustments	●	●	–	–	–	●	–
Removable 2nd Row Captain Seats, 40/20/40 Stowable Centre Passenger Seat, Tip-Up & Long Slide Adjustments	–	–	●	●	–	–	–
Removable 2nd Row Captain Seats w/Lounge Seating & Long Slide Adjustments	–	–	–	–	●	–	●
Split & Stow™ 3rd Row, One-Touch Folding 60/40 Split Rear Bench Seat w/Fold-Down Seat Back, Recline Adjustments	●	●	●	●	●	●	●
All-Position Vertically Adjustable Headrests	●	●	●	●	●	●	●
Power Door Locks, Power Windows w/Auto Up/Down	●	●	●	●	●	●	●
ECO Driving Indicator w/Tachometer, Dual Trip Odometer	●	●	●	●	●	●	●
Multi-Information Display, Outside Temperature Gauge	–	–	●	●	●	●	●
Optitron Electronic Gauges	–	–	–	–	–	–	●
Dual Illuminated Vanity Mirrors	●	●	●	●	●	●	●
Auto-Dimming Rear View Mirror, Digital Compass	–	–	–	–	–	–	●
Conversation Mirror	●	●	●	●	●	●	●
Tilt & Telescopic Steering Wheel, Scuff Plates	●	●	●	●	●	●	●
Leather-Wrapped Steering Wheel	–	–	–	●	●	–	–
Woodgrain & Leather-Wrapped Steering Wheel, Woodgrain Trim	–	–	–	–	–	–	●
Leather-Wrapped Shift Knob	–	–	–	●	–	–	–
Woodgrain & Leather-Wrapped Shift Knob	–	–	–	–	●	–	●
Chrome Inner Door Handles	–	–	–	●	●	–	●
Carpet Floor Mats	●	●	●	●	●	●	●

● = Standard – = Not Available

CONVENIENCE	FWD					AWD	
	4-cyl	V6			V6		
	LE	Sienna	LE	SE	XLE	LE	LTD
Push Button Start, Smart Key System	–	–	–	–	–	–	●
Cruise Control	●	●	●	●	●	●	●
Backup Camera w/3.5" TFT Display	–	–	–	–	–	–	●
Panorama Rearview Camera	–	–	–	–	–	–	●
Front Centre Console Box	–	–	●	●	–	–	●
Console Box (Overhead) w/Sunglass Storage	●	–	●	●	●	–	●
Sliding Woodgrain Trim Console Box	–	–	–	–	●	–	●
Driver's Coin Case Compartment	●	●	●	●	●	●	●
Cargo Area Tie-Down Rings, Shopping Bag Hooks, Coat Hooks	●	●	●	●	●	●	●
Door Map Pockets	●	●	●	●	●	●	●
DVD Based Navigation System ⁴	–	–	–	–	–	–	–
Front & Rear Cup Holders, Retained Accessory Power	●	●	●	●	●	●	●
Integrated Garage Door Opener	–	–	●	–	●	–	●
Dual Power Rear Sliding Doors	–	–	●	●	●	–	●
2nd Row & 3rd Row Retractable Sunshade	–	–	●	●	●	–	●
Power Rear Door w/Jam Protection	–	–	–	–	●	–	●
Rear Clearance & Backup Sonar	–	–	–	–	●	–	–
Front & Rear Clearance & Backup Sonars	–	–	–	–	–	–	●
Maintenance Warning, Key Remind Warning	●	●	●	●	●	●	●
Illuminated Entry	●	–	●	●	●	–	●
Keyless Entry	●	●	●	●	●	–	●

SAFETY	FWD					AWD	
	4-cyl	V6			V6		
	LE	Sienna	LE	SE	XLE	LE	LTD
Dual-Stage Driver & Front Passenger Airbag Supplemental Restraint System (SRS) ¹	●	●	●	●	●	●	●
Front Seat-Mounted Side Airbags (SRS) ¹	●	●	●	●	●	●	●
Driver Knee Airbag (SRS) ¹	●	●	●	●	●	●	●
Front & Rear Head/Side Curtain Airbags (SRS) ¹	●	●	●	●	●	●	●
Front Passenger Airbag Occupancy Classification Indicator	●	●	●	●	●	●	●
Active Front Headrests w/Whiplash Protection	●	●	●	●	●	●	●
Front Seatbelt Pre-Tensioners & Force Limiters	●	●	●	●	●	●	●
All-Position 3-Point Lap & Shoulder Belts	●	●	●	●	●	●	●
Front Seatbelt Anchor Height Adjusters	●	●	●	●	●	●	●
Middle Row Seatbelt Anchor Height Adjusters	●	●	●	●	●	●	●
Anchor Points for Child Restraint Seats	●	●	●	●	●	●	●
Assist Grips	●	●	●	●	●	●	●
Vehicle Anti-Theft System	–	–	–	–	●	–	●
Engine Immobilizer	●	●	●	●	●	●	●
Power Tailgate Lock	●	●	●	●	●	●	●
Glove Box Lock	●	●	●	●	●	●	●
Door Ajar, Low Washer Fluid, Low Fuel, Low Engine Oil, Low Coolant, Front Driver & Passenger Seatbelt Warning Indicators	●	●	●	●	●	●	●
Tire Pressure Warning Indicators	●	●	●	●	●	●	●

2011 Sienna Features

	FWD					AWD	
	4-cyl		V6			V6	
	LE	Sienna	LE	SE	XL	LE	LTD
EXTERIOR	7-Seats	7-Seats	8-Seats	8-Seats	7-Seats	7-Seats	7-Seats
17" 5-Spoke Aluminum Alloy Wheels, Wheel Locks	●	●	●	–	–	–	–
19" 6-Spoke Aluminum Alloy Wheels, Wheel Locks, Chrome Wheels	–	–	–	●	–	–	–
18" 10-Spoke Aluminum Alloy Wheels, Wheel Locks	–	–	–	–	●	●	●
Electric Rear Window Defroster w/Timer	●	●	●	●	●	●	●
Side Window Defoggers	●	●	●	●	●	●	●
Power Flip-Out Side Rear Windows	–	–	–	–	●	–	●
Rear Privacy Glass	●	●	●	●	●	●	●
High Solar Energy Absorbing Window Glass	●	●	●	●	●	●	●
Rear Bumper Protector	●	–	●	–	●	●	●
Dual Heated, Power Adjustable Folding Mirrors	●	●	●	●	●	●	–
Unique Front & Rear Fascias	–	–	–	●	–	–	–
Sport Front Grille	–	–	–	●	–	–	–
Power-Folding Auto-Dimming Side View Mirrors w/Integrated Signal Lamps, Puddle Lamps, Heated & Reverse Auto Tilt	–	–	–	–	–	–	●
Front & Rear Splash Guards, Roof Rails, Rear Spoiler	●	●	●	●	●	●	●
Power Moonroof	–	–	–	●	●	–	–
Dual Moonroof	–	–	–	–	–	–	●
Coloured Door Handles	●	–	●	●	●	●	–
Black Resin Front Grille	–	●	–	–	–	–	–
Chrome Grille Surround	●	–	●	●	●	●	–
Chrome Grille, Chrome Finished Door Handles	–	–	–	–	–	–	●
Variable Intermittent Wipers, Intermittent Rear Window Wiper/Washer, Windshield Wiper De-Icer	●	●	●	●	●	●	●
Rain Sensing Wipers	–	–	–	–	–	–	●
Projector Style Halogen Headlamps	●	●	●	●	●	●	●
Smoked Headlamp Surround, Smoked Taillamps	–	–	–	●	–	–	–
Automatic Headlamp System	–	–	–	–	–	–	●
Wide Angle Fog Lamp	–	–	–	●	●	–	●
PACKAGE							
Limited Package:							
P235/50R19 All-Season Radial Tires, Premium JBL® Audio, AM/FM CD/MP3/WMA In-Dash 4-Disc Changer, 10-Speakers, Dual-View DVD Entertainment System w/16.4" Widescreen Monitor ⁵ , 2 Sets of Wireless Headphones, DVD Based Navigation System ⁴ w/Panorama Rearview Camera, Power 4-Way Passenger Seat, Premium Leather Seat Surfaces, Woodgrain & Leather-Wrapped Steering Wheel, Push Button Start, Smart Key System, Front & Rear Clearance & Backup Sonar, Dual Moonroof, Rain Sensing Wipers, Illuminated Entry w/Fadeout, Power-Folding Auto-Dimming Side View Mirrors w/Integrated Signal Lamps, Puddle Lamps, Reverse Auto Tilt, Exterior Mirrors	–	–	–	–	–	○	–

2011 Sienna Specifications

	FWD					AWD	
	4-cyl		V6			V6	
	LE	Sienna	LE	SE	XL	LE	LTD
MECHANICAL	7-Seats	7-Seats	8-Seats	8-Seats	7-Seats	7-Seats	7-Seats
Engine							
2.7 Litre, 4-Cylinder, DOHC, 16-Valve, Dual Variable Valve Timing w/intelligence (Dual VVT-i), Sequential Multipoint Electronic Fuel Injection	●	–	–	–	–	–	–
3.5 Litre, V6, DOHC, 24-Valve, Dual Variable Valve Timing w/intelligence (Dual VVT-i), Sequential Multipoint Electronic Fuel Injection	–	●	●	●	●	●	●
Compression Ratio							
10:1	●	–	–	–	–	–	–
10:8	–	●	●	●	●	●	●
Horsepower							
187 hp [140 kW] @ 5800 rpm	●	–	–	–	–	–	–
266 hp [198 kW] @ 6200 rpm	–	●	●	●	●	●	●
Torque							
186 lb.ft. [252 N.m.] @ 4100 rpm	●	–	–	–	–	–	–
245 lb.ft. [332 N.m.] @ 4700 rpm	–	●	●	●	●	●	●
Suspension							
Front: Independent MacPherson Strut w/Gas-Filled Shock Absorbers, Coil Springs, Stabilizer Bar	●	●	●	●	●	●	●
Rear: Twist Beam Type w/Coil Springs, Gas-Filled Shock Absorbers, Stabilizer Bar Sport Tuned Coil Springs	●	●	●	●	●	●	●
Drivetrain							
Front Wheel Drive	●	●	●	●	●	–	–
All-Wheel Drive	–	–	–	–	–	●	●
Vehicle Stability Control (VSC), Traction Control (TRAC)	●	●	●	●	●	●	●
Transmission							
6-Speed, Automatic, Electronically Controlled Transmission w/intelligence (ECT-i), Sequential Shift Mode, Gate-Type Shifter, Lock-Up Torque Converter, Transmission Cooler	●	●	●	●	●	●	●
Brakes							
Power Assisted, Ventilated Front Discs, Solid Rear Discs, Antilock Braking System (ABS) w/Electronic Brake-force Distribution (EBD), Brake Assist (BA)	●	●	●	●	●	●	●
Steering							
Electric Rack & Pinion w/Variable Power Assist	●	●	●	–	●	●	●
Sport Calibrated Electric Power Steering w/Variable Power Assist	–	–	–	●	–	–	–
Tires							
P235/60R17, All-Season Radial Tires, Temporary Spare Tire	●	●	●	–	–	–	–
P235/50R19, All-Season Radial Tires, Temporary Spare Tire	–	–	–	●	○	–	–
P235/55R18, All-Season Radial Tires, Temporary Spare Tire	–	–	–	–	●	–	–
P235/55R18, All-Season Run-Flat Tires	–	–	–	–	–	●	●

● = Standard ○ = Optional – = Not Available

		FWD					AWD	
		4-cyl		V6			V6	
		LE	Sienna	LE	SE	XL	LE	LTD
DIMENSIONS	mm (in.)	7-Seats	7-Seats	8-Seats	8-Seats	7-Seats	7-Seats	7-Seats
Length	5086 [200.2]	●	●	●	●	●	●	●
Width	1985 [78.2]	●	●	●	●	●	●	●
Height (Unloaded)	1811 [71.3] Maximum	●	●	●	●	●	●	●
Wheelbase	3030 [119.3]	●	●	●	●	●	●	●
Track	Front: 1720 [67.7]	●	●	●	●	●	●	●
	Rear: 1720 [67.7]	●	●	●	●	●	●	●
Seating Capacity	7	●	●	–	–	●	●	●
	8	–	–	●	●	–	–	–
Headroom	Front: 1041 [41.0]	●	●	●	–	–	●	–
	2nd: 1008 [39.7]	●	●	●	–	–	●	–
	3rd: 973 [38.3]	●	●	●	–	–	●	–
	Front: 993 [39.1] w/Moonroof	–	–	–	●	●	–	–
	2nd: 1008 [39.7] w/Moonroof	–	–	–	●	●	–	–
	3rd: 973 [38.3] w/Moonroof	–	–	–	●	●	–	–
	Front: 993 [39.1] w/Dual Moonroof	–	–	–	–	○	–	●
	2nd: 965 [38.0] w/Dual Moonroof	–	–	–	–	○	–	●
	3rd: 912 [35.9] w/Dual Moonroof	–	–	–	–	○	–	●
Legroom	Front: 1029 [40.5]	●	●	●	●	●	●	●
	2nd: 955 [37.6]	●	●	●	●	●	●	●
	3rd: 922 [36.3]	●	●	●	●	●	●	●
Shoulder Room	Front: 1650 [65.0]	●	●	●	●	●	●	●
	2nd: 1641 [64.6]	●	●	●	●	●	●	●
	3rd: 1552 [61.1]	●	●	●	●	●	●	●
Ground Clearance	157 [6.2] Minimum	●	●	●	●	●	●	●

¹All Toyota vehicles shown in this brochure, have Supplemental Restraint Systems (SRS) which, depending on the model, may include driver and front passenger airbags, a driver's knee airbag, front seat-mounted side airbags or side curtain airbags. For important safety information about the Supplemental Restraint System in a vehicle, please see the Owner's Manual or contact your local Toyota Dealer.

²These estimates are based on the Government of Canada's approved criteria and testing methods. The actual fuel consumption of this vehicle may vary. Refer to the Government of Canada publication *EnerGuide Fuel Consumption Guide*.

³Toyota tests certain phones for compatibility with Bluetooth technology. Some vehicles equipped with Bluetooth technology are available with bilingual capability. Note that the recommendation of Toyota is not a warranty of the performance for any phone and that some problems may occur with any type of handset based on the service coverage available in your area. Please see your Toyota Dealer for details.

⁴The Toyota DVD based Navigation system is designed to assist in locating an address or point of interest. Discrepancies may be encountered between the system and your actual location. Changes in street names, road closures, traffic flow or other road system changes may affect the accuracy of the mapping software. Rely on your common sense to decide whether or not to follow a specified route. Detailed coverage is not available in every city. Optional periodic geographic updates are available at an additional cost. The Navigational systems in some vehicles are available with bilingual capability. Please see your Navigation system Owner's Manual and your Toyota Dealer for further details.

⁵A single-disc DVD player is standard on vehicles equipped with the Dual-View Entertainment System. A separate DVD player or compatible game system utilizing the centre console's audio/video inputs is required in order to use the split screen function.

		FWD					AWD	
		4-cyl		V6			V6	
		LE	Sienna	LE	SE	XL	LE	LTD
CURB WEIGHT	kg (lb.)	7-Seats	7-Seats	8-Seats	8-Seats	7-Seats	7-Seats	7-Seats
	1900 [4189]	●	–	–	–	–	–	–
	1960 [4340]	–	●	–	–	–	–	–
	1990 [4405]	–	–	●	–	–	–	–
	2010 [4460]	–	–	–	●	–	–	–
	2045 [4520]	–	–	–	–	●	–	–
	2070 [4585]	–	–	–	–	–	●	–
	2145 [4735]	–	–	–	–	–	–	●
TOWING CAPACITY	kg (lb)							
	1585 [3500]	–	●	●	●	●	●	●
CARGO CAPACITY	m³ (cu.ft.)							
	4.25 [150.0] Behind Front Seats - Max.	●	●	●	●	●	●	●
	2.47 [87.1] Behind 2nd Row Seats - Max.	●	●	●	●	●	●	●
	1.11 [39.1] Behind 3rd Row Seats - Max.	●	●	●	●	●	●	●
TURNING CIRCLE	m (ft.)							
	11.2 [36.7]	●	●	●	●	●	●	●
FUEL CAPACITY	litres (gal)							
	79 [17.4]	●	●	●	●	●	●	●
FUEL CONSUMPTION RATING²								
	L/100 km mpg (imperial gallon)							
City/Highway/Combined	10.4/7.5/9.1	27/38/31	●	–	–	–	–	–
	11.5/8.1/10.0	25/35/28	–	●	●	●	●	–
	12.8/9.0/11.1	22/31/25	–	–	–	–	–	●

MOBILITY

As part of the Toyota Mobility Program, and in keeping with our "make things better" philosophy, Toyota Canada makes available specific 2011 Sienna models for mobility conversions to help those living with physical disabilities. To learn more visit Toyota.ca.

Toyota Canada Inc. Every effort has been made to ensure the specifications and equipment shown are accurate based on information available at time of printing. In some cases, certain changes in production capacity, standard equipment, options or product delays may occur which would not be reflected in this brochure. Toyota Canada Inc. reserves the right to make these changes without notice or obligation. The Toyota website toyota.ca – or your Toyota Dealer is your best source for up-to-date information.



Yaris Hatchback



Camry Hybrid



RAV4



4Runner



Yaris



Prius



Highlander



Sequoia



Corolla



Venza



Highlander Hybrid



Tacoma



Matrix



Avalon



FJ Cruiser



Tundra

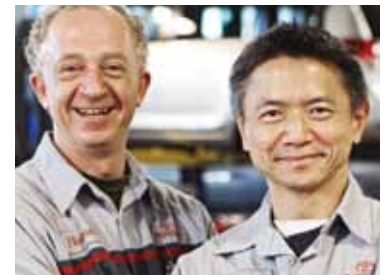


Camry



Sienna

Our Toyota dealers realize that building a lasting relationship is about more than just selling a vehicle. That's why our approachable staff is always happy to assist you, whatever your need may be. To find a Dealer nearest you, visit toyota.ca



Toyota recognizes its duty to safeguard the environment. Please recycle.

